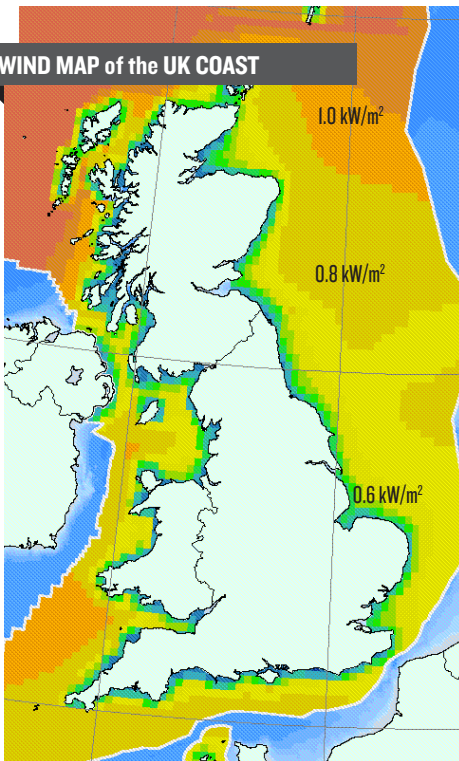


THE CLEAR PATH ENERGY TURBINE

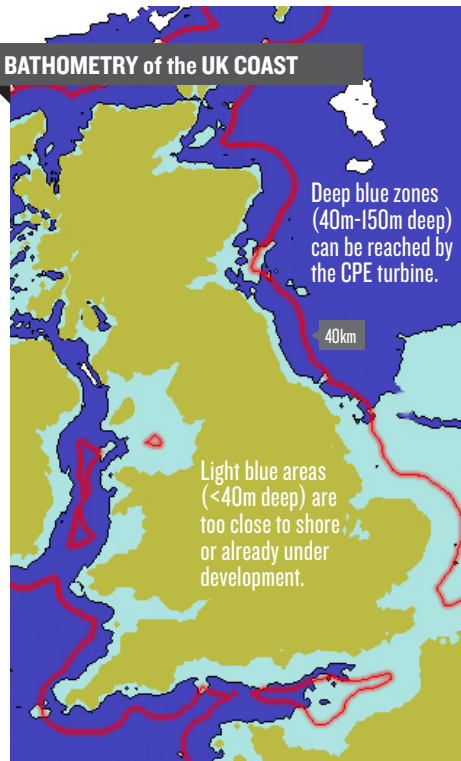
30% LOWER COST
NOT VISIBLE FROM LAND

Clear Path Energy (CPE) unlocks the best wind resources located beyond the horizon (40km), in depths of 40m to 150m.

WIND MAP of the UK COAST



BATHOMETRY of the UK COAST



CLEAR PATH ENERGY TURBINE

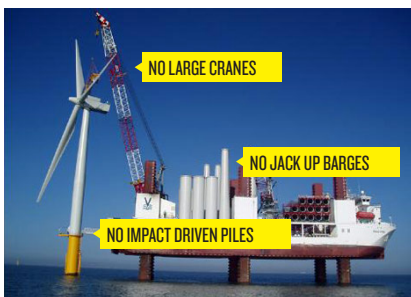


HOW THE CPE TURBINE REDUCES COST OF ENERGY:

CPE turbines reduce resistance from NIMBY's, shipping and military and avoid near shore marine ecosystems, birds, bats and archaeological sites.

CPE turbines reduce COE 30% by using tug and plug flip-up installation, durable direct drive train, flow through rotor hub and compliant truss.

CPE turbines reduce risk by reducing part count.



SAVINGS in MANUFACTURING, TRANSPORTATION, INSTALLATION and MAINTENANCE

The ring generator is driven directly by the extended hub reducing load, part count, weight, cost and risk.

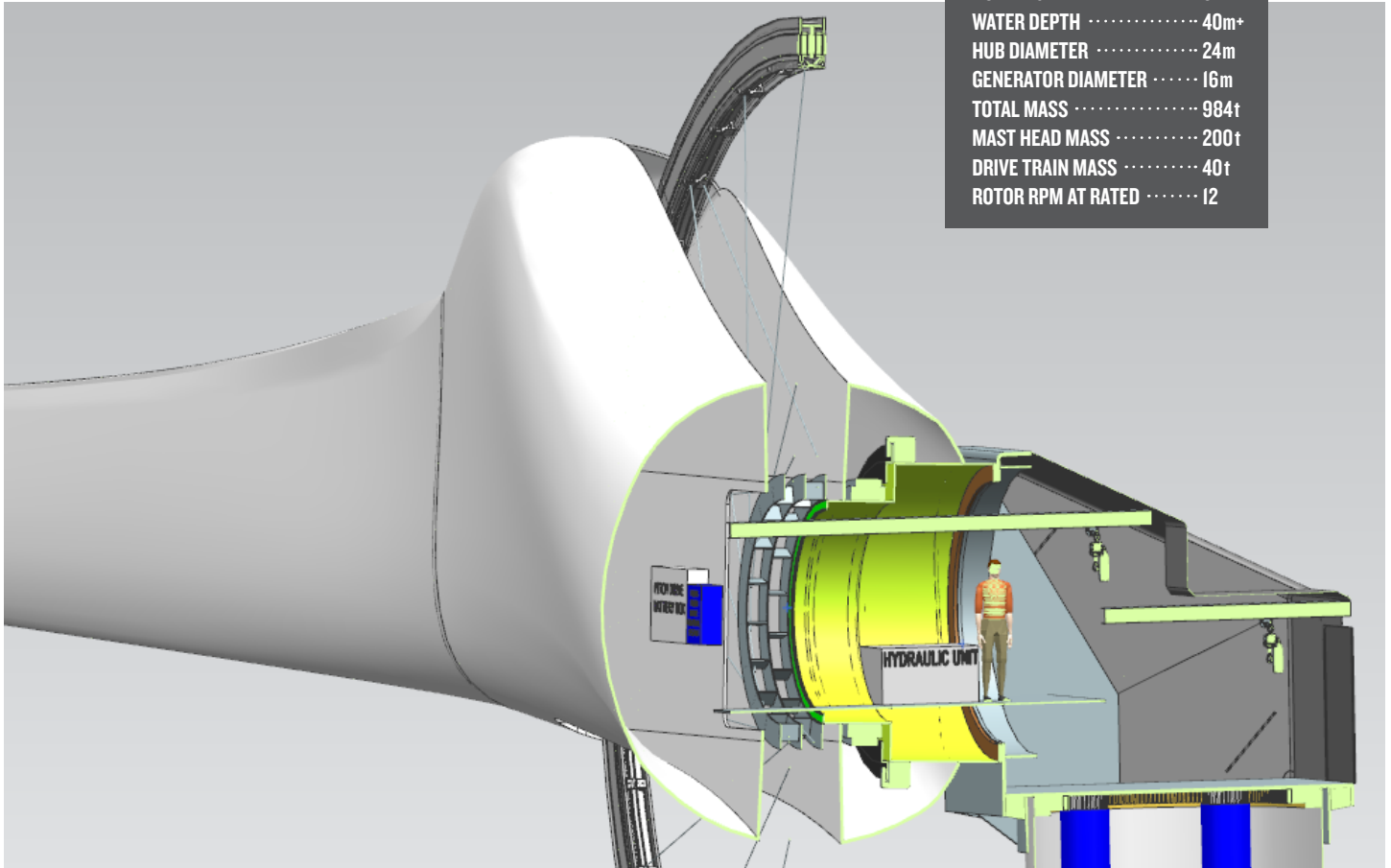
Any part, including generator and rotor, can be removed in a single shift using only winches and barge-mounted motion compensated platforms.

SPECIFICATIONS:

POWER RATING: 5,000 kW*

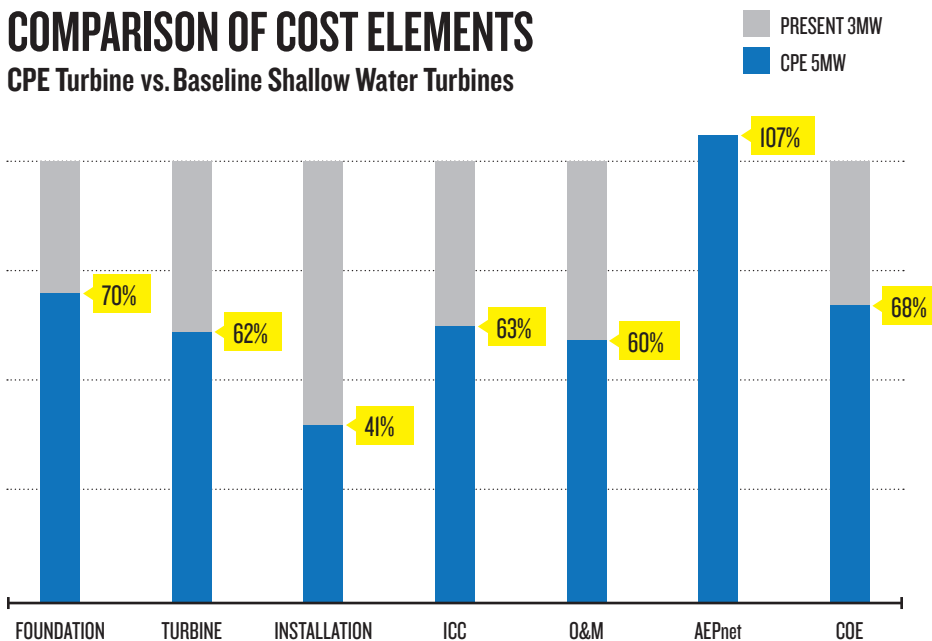
*Can scale to larger size

ROTOR DIAMETER	135m
HUB HEIGHT	91m
WATER DEPTH	40m+
HUB DIAMETER	24m
GENERATOR DIAMETER	16m
TOTAL MASS	984t
MAST HEAD MASS	200t
DRIVE TRAIN MASS	40t
ROTOR RPM AT RATED	12



COMPARISON OF COST ELEMENTS

CPE Turbine vs. Baseline Shallow Water Turbines



Although installed in deeper water, the foundation is lower cost than shallow water driven pile foundations.

Installation is dramatically lower in cost.

An increase in energy from stronger winds also lowers cost of energy.